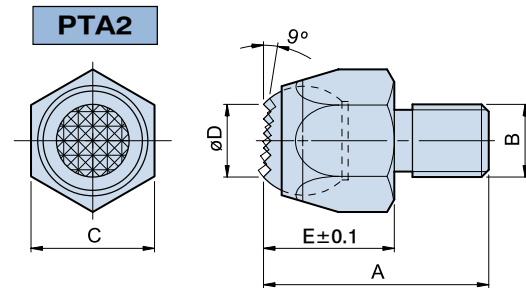
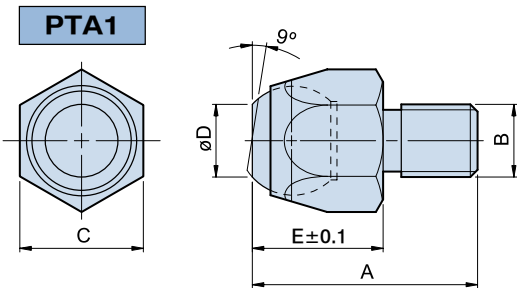
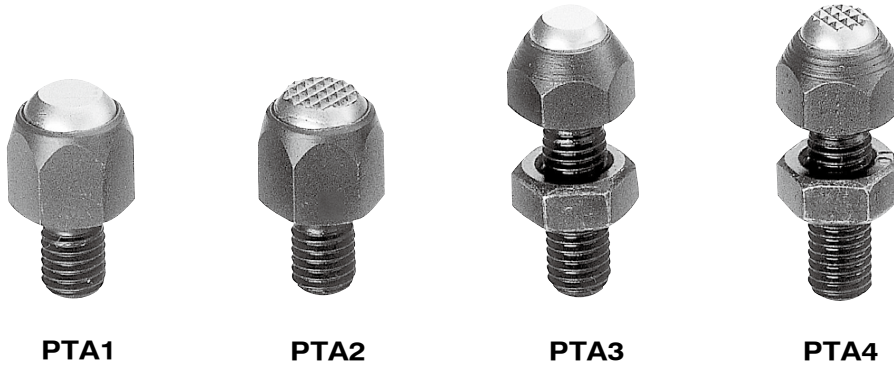


PTA 動向鋼珠定位螺桿



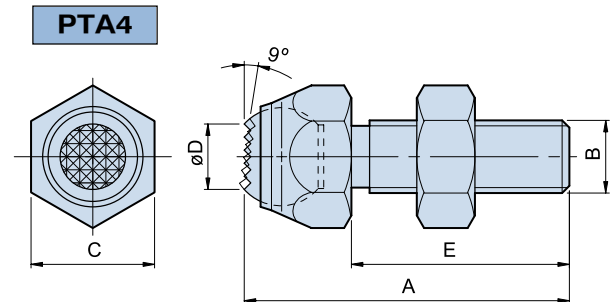
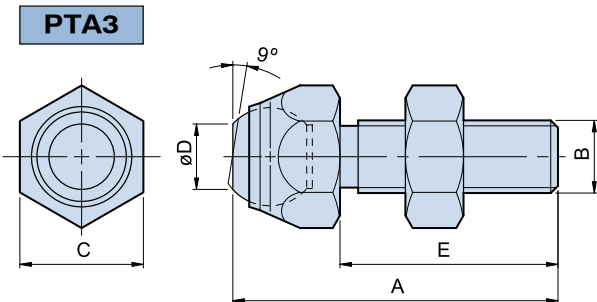
Movable Steel Ball Positioning Screw

- 材質: 本體S45C 鋼珠SUJ2
- 硬度: 本體HRC35° 鋼珠HRC62°
- Material: Body:S45C Steel ball:SUJ2
- Hardness: Body:HRC35° Steel ball:HRC62°



MODEL	A	B	C	D	E	kg
PTA1-0006	21	M6x1.0	10	6	10	0.012
PTA1-0108	25	M8x1.25	14	8	12	0.015
PTA1-0210	30	M10x1.5	17	10	16	0.025
PTA1-0312	35	M12x1.75	22	12	22	0.070
PTA1-0416	42	M16x2.0	27	14	26	0.140
PTA1-0520	55	M20x2.5	36	14	27	0.280
PTA1-0624	65	M24x2.0	36	18	32	0.560
PTA1-0730	80	M30x2.0	46	21	35	0.880

MODEL	A	B	C	D	E	kg
PTA2-0006	21	M6x1.0	10	6	10	0.012
PTA2-0108	25	M8x1.25	14	8	12	0.015
PTA2-0210	30	M10x1.5	17	10	16	0.025
PTA2-0312	35	M12x1.75	22	12	22	0.070
PTA2-0416	42	M16x2.0	27	14	26	0.140
PTA2-0520	55	M20x2.5	36	14	27	0.280
PTA2-0624	65	M24x2.0	36	18	32	0.560
PTA2-0730	80	M30x2.0	46	21	35	0.880



MODEL	A	B	C	D	E	kg
PTA3-0108	36	M8x1.25	14	7	25	0.025
PTA3-0210	45	M10x1.5	17	8	30	0.055
PTA3-0312	50	M12x1.75	17	10	35	0.055
PTA3-0416	60	M16x2.0	24	12	40	0.140
PTA3-0520	87	M20x2.5	36	14	60	0.330
PTA3-0624	98	M24x2.0	36	18	66	0.595
PTA3-0730	110	M30x2.0	46	21	75	1.030

MODEL	A	B	C	D	E	kg
PTA4-0108	36	M8x1.25	14	7	25	0.025
PTA4-0210	45	M10x1.5	17	8	30	0.055
PTA4-0312	50	M12x1.75	17	10	35	0.055
PTA4-0416	60	M16x2.0	24	12	40	0.140
PTA4-0520	87	M20x2.5	36	14	60	0.330
PTA4-0624	98	M24x2.0	36	18	66	0.595
PTA4-0730	110	M30x2.0	46	21	75	1.030