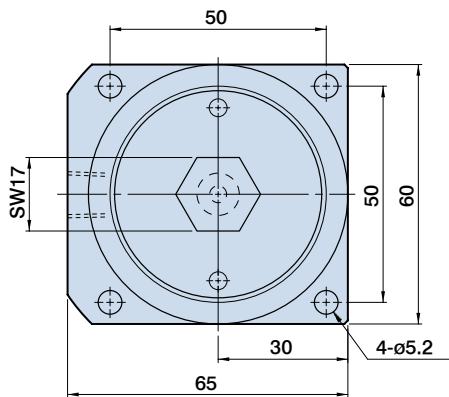


# LSP 低油壓支撐缸

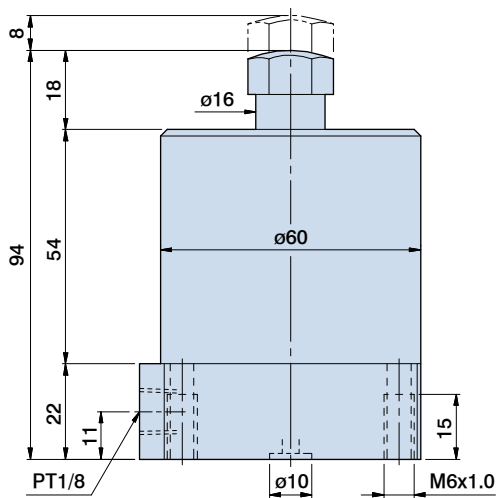


## Low Pressure Supporting Cylinder

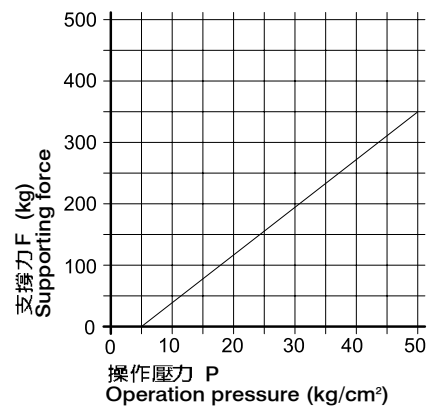
• Rod:  $\phi 16\text{mm}$  • Pmax:  $70\text{kg/cm}^2$



**LSP-16B 油壓頂出型  
Hydraulic extended  
piston rod**



**出力表 Output table**



配管式 Line type	LSP-16B
油路板型 Manifold	LSP-M16B

