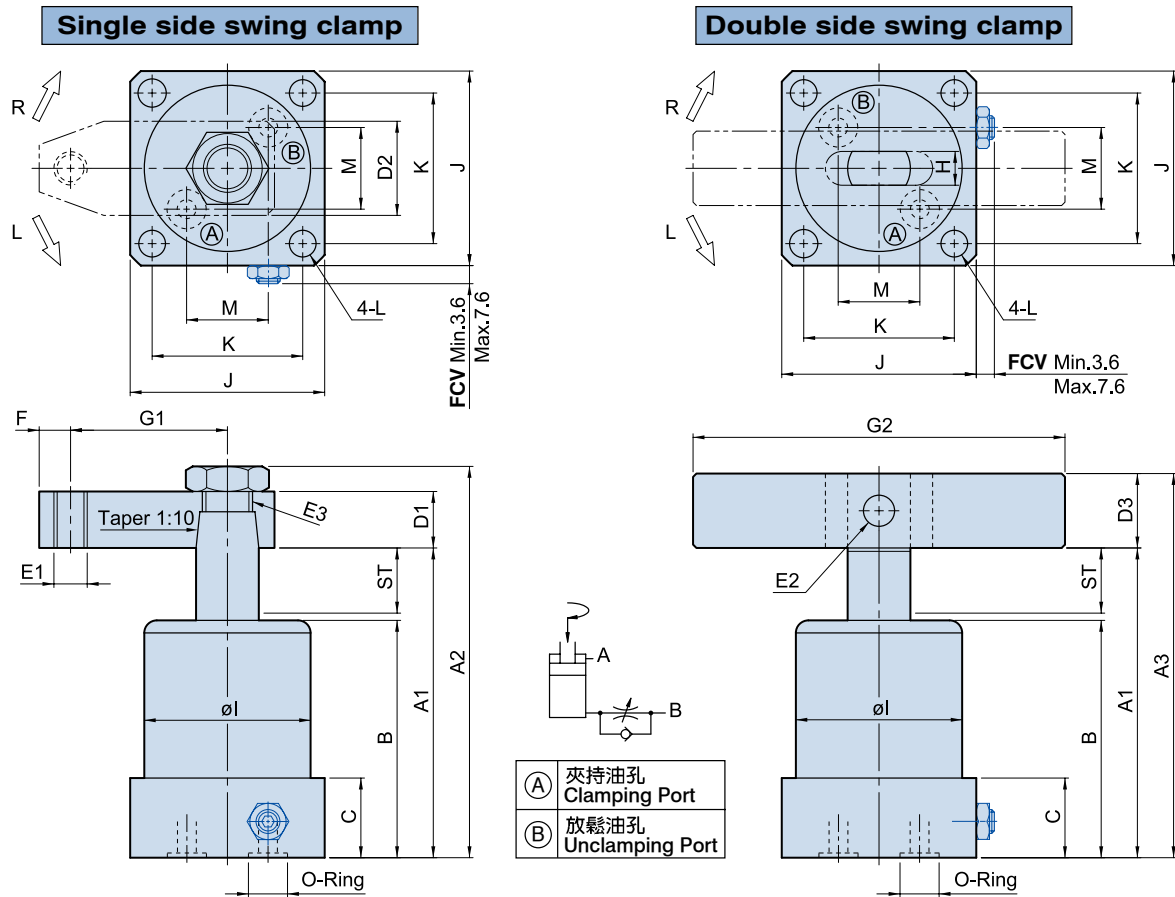


HSC 油壓轉角缸 MF 油路板附調速



Hydraulic Swing Clamp Cylinder MF

• Bore: $\phi 25$ - $\phi 63$ mm • Pmax: 100kg/cm²



Dimensional table

UNIT:mm

ITEM	MODEL	HSC-MF25		HSC-MF32		HSC-MF40		HSC-MF50		HSC-MF63	
ST:Swing/Clamping		22:9/13	26:11/15	41:11/30	26:11/15	41:11/30	30:13/17	47:13/34	30:13/17	47:13/34	
A1		101	115	145	120	150	134	168	139	173	
A2		(124)	(140)	(170)	(148)	(178)	(166)	(200)	(175)	(209)	
A3		120	137.2	167.2	142.2	172.2	159.4	193.4	170.8	204.8	
B		76	85	100	90	105	100	117	105	122	
C		22	25		25		30		30		
D1		15	17		18		20		23		
D2		27	31		31		37		48		
D3		□19	□22.2		□22.2		□25.4		□31.8		
E1		M10 x 1.5	M10 x 1.5		M10 x 1.5		M12 x 1.75		M16 x 2.0		
E2		$\phi 8$	$\phi 8$		$\phi 10$		$\phi 12$		$\phi 15$		
E3		M14 x 1.5	M16 x 1.5		M18 x 1.5		M20 x 1.5		M26 x 1.5		
F		10	10		10		12		15		
G1		50	55		60		65		75		
G2		140	160		160		180		200		
H		9	10		10		12		15		
ϕl		$\phi 46$	$\phi 50$		$\phi 54$		$\phi 66$		$\phi 80$		
J		55	57		63		72		88		
K		42	44		48		57		70		
L		$\phi 6.8$	$\phi 6.8$		$\phi 9$		$\phi 9$		$\phi 11$		
M		19	21		23		28		32		
O-Ring		P7	P7		P9		P9		P9		