

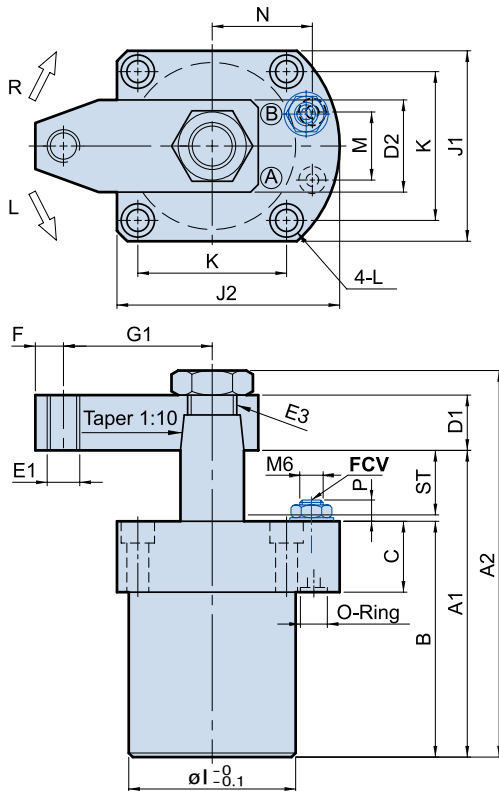
HSC 油壓轉角缸 FCM 法蘭型油路板附調速



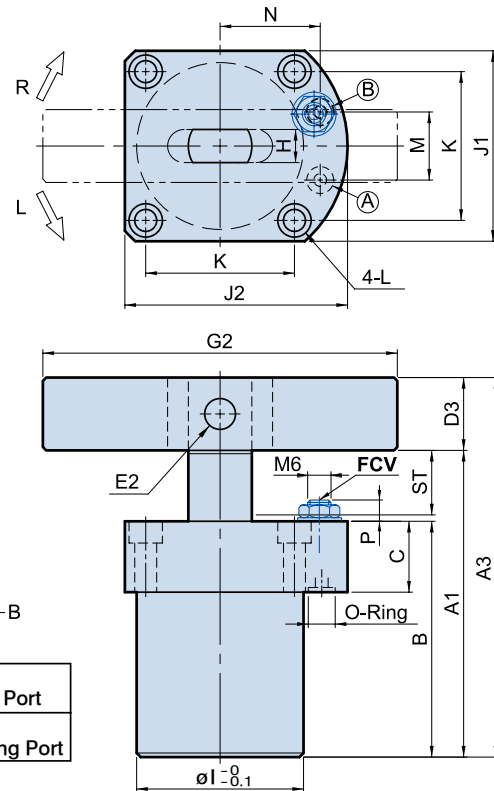
Hydraulic Swing Clamp Cylinder FCM

• Bore: $\phi 25$ - $\phi 63$ mm • Pmax: 100kg/cm²

Single side swing clamp



Double side swing clamp



- (A) 夾持油孔
Clamping Port
- (B) 放鬆油孔
Unclamping Port

Dimensional table

UNIT:mm

ITEM \ MODEL	HSC-FCM25	HSC-FCM32	HSC-FCM40	HSC-FCM50	HSC-FCM63				
ST: Swing/Clamping	22:9/13	26:11/15	41:11/30	26:11/15	41:11/30	30:13/17	47:13/34	30:13/17	47:13/34
A1	101	115	145	120	150	134	168	139	173
A2	(124)	(140)	(170)	(148)	(178)	(166)	(200)	(175)	(209)
A3	120	137.2	167.2	142.2	172.2	159.4	193.4	170.8	204.8
B	76	85	100	90	105	100	117	105	122
C	22	25	25	25	30	30	30	30	30
D1	15	17	17	18	20	20	20	23	23
D2	27	31	31	31	37	37	37	48	48
D3	□19	□22.2	□22.2	□22.2	□25.4	□25.4	□25.4	□31.8	□31.8
E1	M10x1.5	M10x1.5	M10x1.5	M10x1.5	M12x1.75	M12x1.75	M12x1.75	M16x2.0	M16x2.0
E2	$\phi 8$	$\phi 8$	$\phi 10$	$\phi 10$	$\phi 12$	$\phi 12$	$\phi 12$	$\phi 15$	$\phi 15$
E3	M14x1.5	M16x1.5	M18x1.5	M18x1.5	M20x1.5	M20x1.5	M20x1.5	M26x1.5	M26x1.5
F	10	10	10	10	12	12	12	15	15
G1	50	55	60	60	65	65	65	75	75
G2	140	160	160	160	180	180	180	200	200
H	9	10	10	10	12	12	12	15	15
$\phi 1$	$\phi 45$	$\phi 50$	$\phi 58$	$\phi 58$	$\phi 68$	$\phi 68$	$\phi 68$	$\phi 81$	$\phi 81$
J1	55	57	69	69	75	75	75	90	90
J2	64	65.5	79	79	87	87	87	104	104
K	42	44	52	52	58	58	58	70	70
L	$\phi 6.8$ - $\phi 10.5$ x6.5D.	$\phi 6.8$ - $\phi 10.5$ x6.5D.	$\phi 9$ - $\phi 14$ x9D.	$\phi 9$ - $\phi 14$ x9D.	$\phi 9$ - $\phi 14$ x9D.	$\phi 9$ - $\phi 14$ x9D.	$\phi 9$ - $\phi 14$ x9D.	$\phi 11$ - $\phi 17$ x11D.	$\phi 11$ - $\phi 17$ x11D.
M	20	22	26	26	30	30	30	34	34
N	28	29	34.5	34.5	39	39	39	47	47
O-Ring	P6	P6	P9	P9	P9	P9	P9	P9	P9
P Min	7.1	4.1	4.1	4.1	3.6	3.6	3.6	3.6	3.6
P Max	10.2	8.1	8.1	8.1	7.6	7.6	7.6	7.6	7.6