

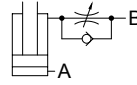
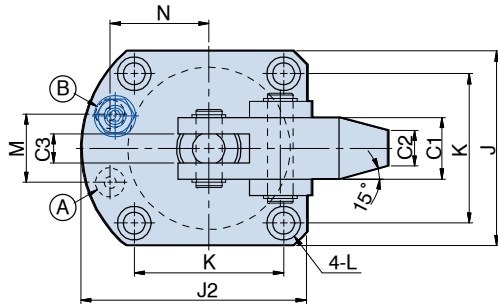
HLB 槓桿油壓缸 FCM 法蘭型油路板附調速

Flange type manifold with flow control

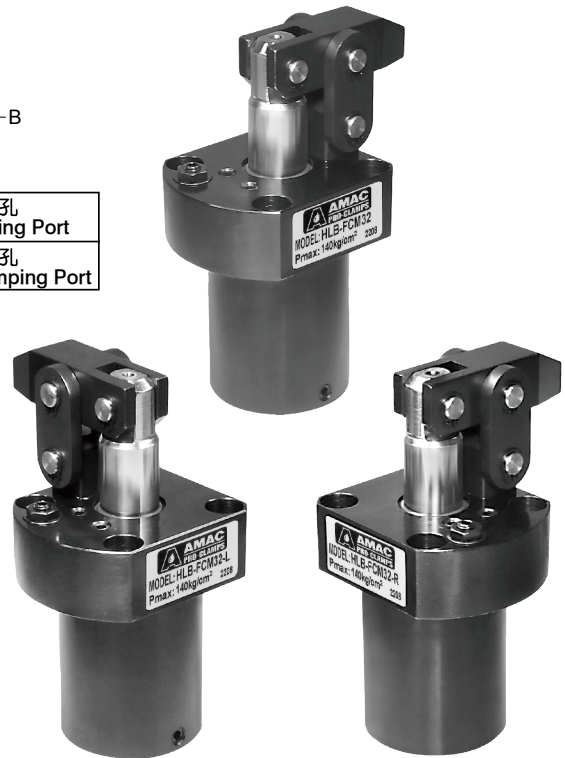
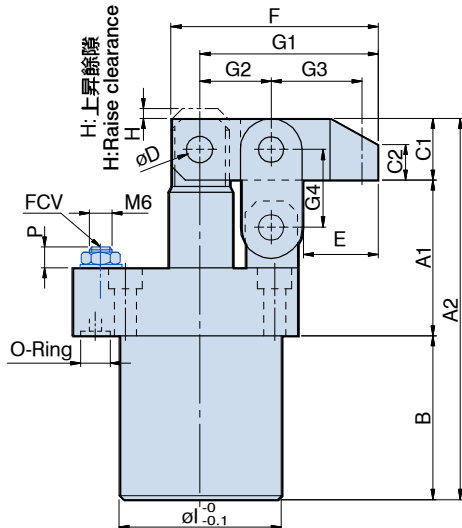


Hydraulic lever-type Cylinder

• Bore: $\phi 25$ - $\phi 40$ mm • Pmax: 140kg/cm²



- (A) 夾持油孔
Clamping Port
- (B) 放鬆油孔
Unclamping Port



HLB-FCM Bore -L

HLB-FCM Bore -R

Dimensional table

UNIT:mm

ITEM	MODEL	HLB-FCM25	HLB-FCM32	HLB-FCM40
A1		49	52	57
A2		126	131	150.2
B		58	60	71
C1		□19	□19	□22.2
C2		11	11	13
C3		9	9	10
ϕD		$\phi 8$	$\phi 8$	$\phi 10$
E		23.5	23.5	29
F		64	64	77
G1		55	55	66
G2		22	22	26
G3		28	28	34
G4		24	24	29
H		3	3	4
ϕI		$\phi 45$	$\phi 50$	$\phi 58$
J1		56	60	70
J2		65	69.5	81
K		43	46	53
L		$\phi 6.8$ - $\phi 10.5$ x6.5D.	$\phi 6.8$ - $\phi 10.5$ x6.5D.	$\phi 9$ - $\phi 14$ x9D.
M		20	21	27
N		28	30.5	35
O-Ring		P6	P6	P9
P Min.		7.1	4.1	4.1
P Max.		10.2	8.1	8.1