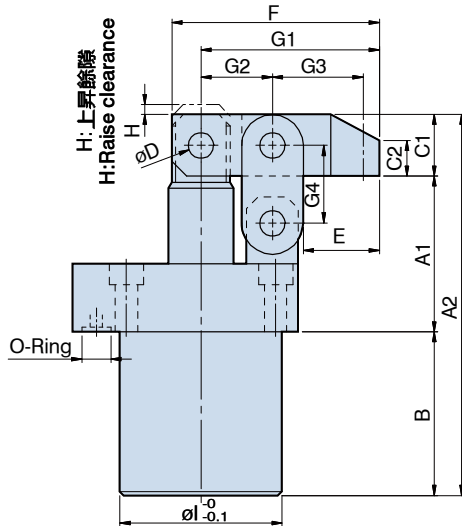
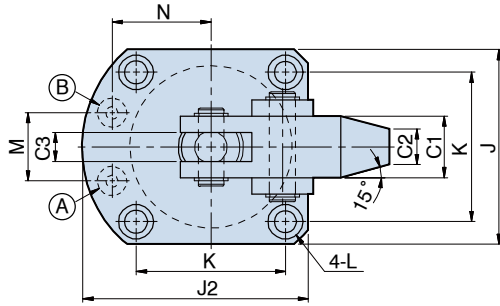


# HLB 槓桿油壓缸 FAM 法蘭型油路板 Flange with manifold

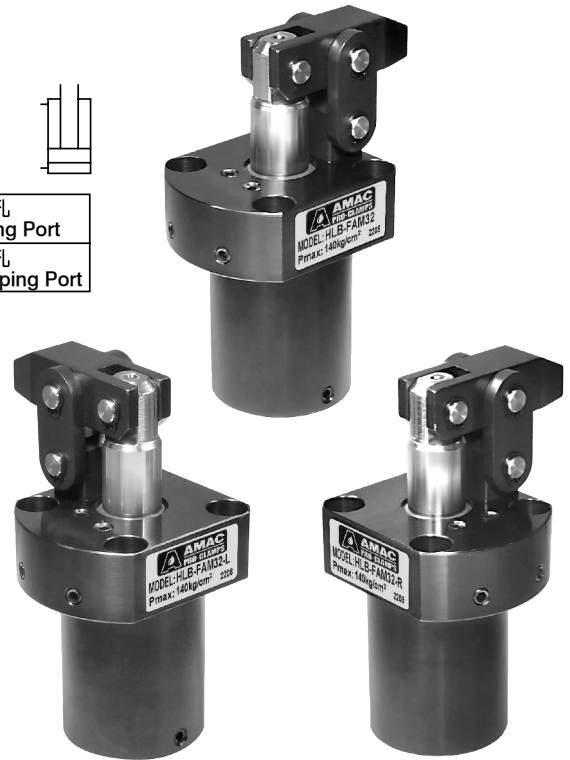


## Hydraulic lever-type Cylinder

• Bore:  $\phi 25$ - $\phi 40$ mm • Pmax: 140kg/cm<sup>2</sup>



- Ⓐ 夾持油孔  
Clamping Port
- Ⓑ 放鬆油孔  
Unclamping Port



HLB-FAM Bore -L

HLB-FAM Bore -R

### Dimensional table

UNIT:mm

ITEM \ MODEL	HLB-FAM25	HLB-FAM32	HLB-FAM40
A1	49	52	57
A2	126	131	150.2
B	58	60	71
C1	□19	□19	□22.2
C2	11	11	13
C3	9	9	10
$\phi D$	$\phi 8$	$\phi 8$	$\phi 10$
E	23.5	23.5	29
F	64	64	77
G1	55	55	66
G2	22	22	26
G3	28	28	34
G4	24	24	29
H	3	3	4
$\phi l$	$\phi 45$	$\phi 50$	$\phi 58$
J1	56	60	70
J2	65	69.5	81
K	43	46	53
L	$\phi 6.8$ - $\phi 10.5 \times 6.5D$ .	$\phi 6.8$ - $\phi 10.5 \times 6.5D$ .	$\phi 9$ - $\phi 14 \times 9D$ .
M	20	21	27
N	28	30.5	35
O-Ring	P6	P6	P9