

HBC 塊型油壓缸

Line 配管式 單動/複動
Line type Single acting / Double acting

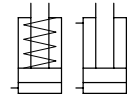
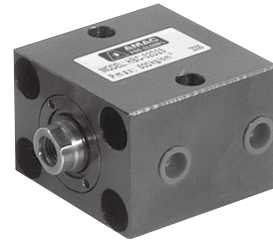


Hydraulic Block Cylinder

• Bore: $\phi 16$ - $\phi 40$ mm • Pmax: 500kg/cm²

產品簡介

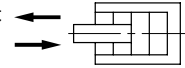
- 本系列油壓缸為德規尺寸，高質量油封保證耐壓，標準化規格互換性高。
- 安裝型式為軸向、側向兩用型，作動方式分為單動常入型與複動式。



Product in troduction

- This series of hydraulic cylinders are of German size, high-quality oil seals ensure pressure resistance, and standardized specifications are highly interchangeable.
- Axial and side mounting type. Choice of single and double acting.

F1: 推出 Push out
F2: 拉入 Pull in

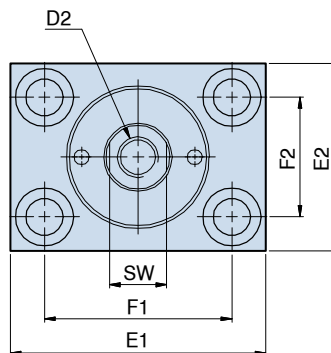
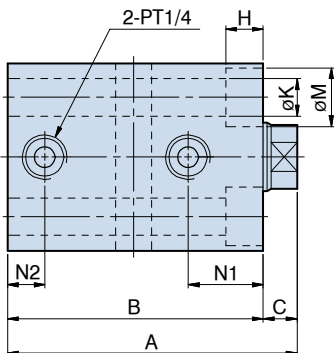
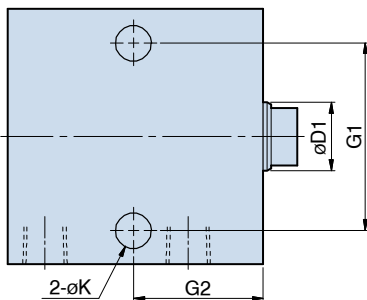


理論出力表 Clamping force

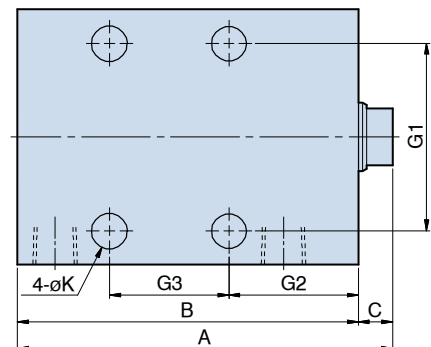
UNIT: Kg

油缸內徑 Bore of cylinder (mm)	活塞桿徑 Piston-rod (mm)	受壓面積 Pressure area (cm ²)		操作壓力 Operation pressure kg/cm ²			
		F1	F2	100		500	
				F1	F2	F1	F2
$\phi 16$	$\phi 10$	2.01	1.22	201	122	1005	610
$\phi 25$	$\phi 16$	4.91	2.9	491	290	2455	1450
$\phi 32$	$\phi 20$	8.04	4.9	804	490	4020	2450
$\phi 40$	$\phi 25$	12.57	7.66	1257	766	6285	3830

Short stroke



Long stroke



訂購標示法 Order Code

HBC - **25** **D** **20**

↑ ↑ ↑ ↑

① ② ③ ④

①	系列別 Series	HBC	
②	油缸內徑 Bore of cylinder	$\phi 16$, $\phi 25$, $\phi 32$, $\phi 40$	
③	作動方式 Acting type	S	單動 Single-acting
		D	雙動 Double-acting
④	標準行程 Standard stroke	請參考尺寸表 Refer to the dimensional table	

Dimensional table

UNIT:mm

Bore	Single acting		Double acting			C	D1	D2	SW	E1	E2	F1	F2	G1	G2	G3	H	K	M	N1	N2	
	Stroke	A	B	Stroke	A																	B
$\phi 16$	8	62	56	16	62	56	6	10	M6x1.0 12 Deep	8	60	35	40	22	30	30	36.5	6.5	6.8	11	16.5	11
	20	97	91	50	97	91																
$\phi 25$	8	71	64	20	71	64	7	16	M10x1.5 15 Deep	13	65	45	50	30	50	33	35	9	9	14	18	11
	20	101	94	50	101	94																
$\phi 32$	10	85	75	25	85	75	10	20	M12x1.75 15 Deep	17	75	55	55	35	55	38	35	11	11	18	22	11
	20	110	100	50	110	100																
$\phi 40$	10	89	79	25	89	79	10	25	M16x2.0 25 Deep	21	85	63	63	40	63	40	37	11	11	18	24	11
	20	114	104	50	114	104																

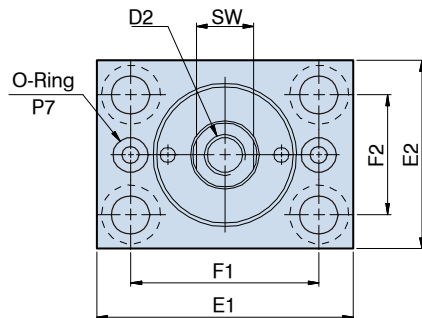
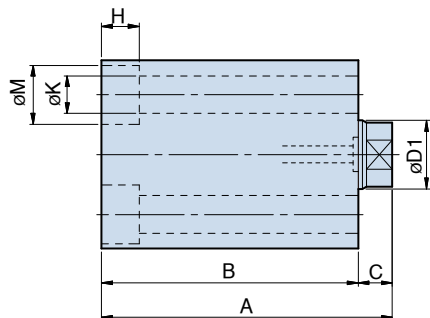
HBC 塊型油壓缸 複動油路板型



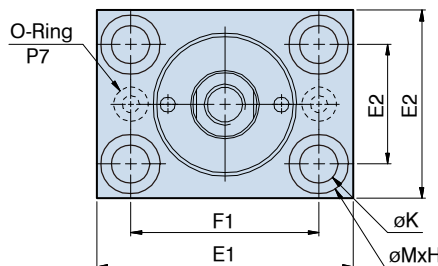
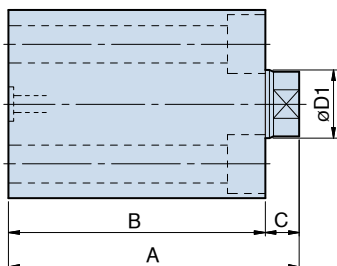
Hydraulic Block Cylinder

• Bore: $\phi 16$ - $\phi 40$ mm • Pmax: 500kg/cm²

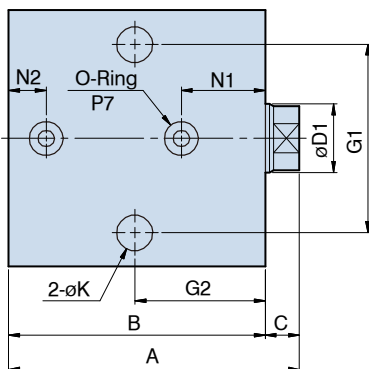
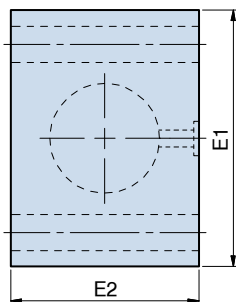
MA Rod side manifold



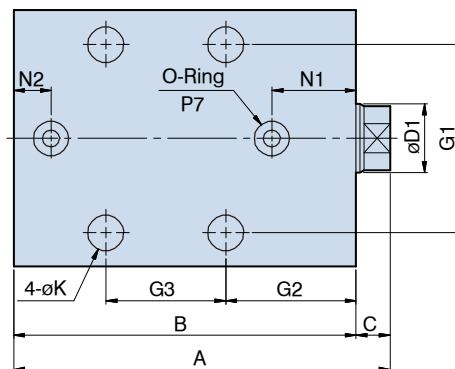
MB Bottom side manifold



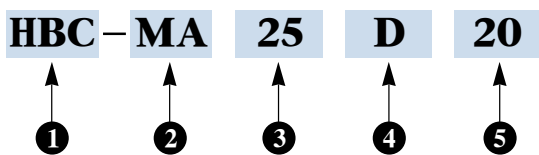
SM Short stroke manifold



LM Long stroke manifold



訂購標示法 Order Code



①	系列別 Series	HBC	
②	安裝型式 Installation type	MA	Rod side manifold
		MB	Bottom side manifold
		SM	Short stroke manifold
		LM	Long stroke manifold
③	油缸內徑 Bore of cylinder	$\phi 16$. $\phi 25$. $\phi 32$. $\phi 40$	
④	作動方式 Acting type	D	雙動 Double-acting
⑤	標準行程 Standard stroke	請參考尺寸表 Refer to the dimensional table	

Dimensional table

UNIT:mm

Bore	Short stroke		Long stroke			C	D1	D2	SW	E1	E2	F1	F2	G1	G2	G3	H	K	M	N1	N2	
	Stroke	A	B	Stroke	A																	B
$\phi 16$	16	62	56	50	97	91	6	10	M6x1.0 12Deep	8	60	35	40	22	30	30	36.5	6.5	6.8	11	19.5	11
$\phi 25$	20	71	64	50	101	94	7	16	M10x1.5 15Deep	13	65	45	50	30	50	33	35	9	9	14	21	11
$\phi 32$	25	85	75	50	110	100	10	20	M12x1.75 15Deep	17	75	55	55	35	55	38	35	11	11	18	24.5	11
$\phi 40$	25	89	79	50	114	104	10	25	M16x2.0 25Deep	21	85	63	63	40	63	40	37	11	11	18	27	11