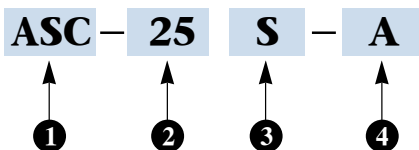


# ARM 夾具缸壓板



## Clamp Cylinder Clamping Arm

### 訂購標示法 Order Code



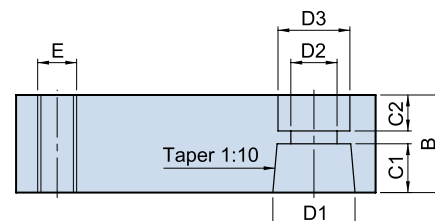
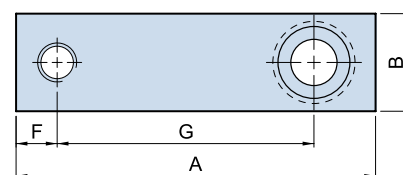
①	系列別 Series	ASC. HSC. HPS	
②	缸體內徑 Bore of cylinder	ø25, ø32, ø40, ø50, ø63	
③	壓板型式 Clamping arm type	S	單邊 Single-side clamping arm
		D	雙邊 Double-side clamping arm
④	壓板前端區分 Clamping arm front	A	標準型攻牙 Standard type with thread
		B	標準型無牙 Standard type without thread
		C	加長型無牙 Extension type without thread

### ASC 空壓轉角缸單邊壓板 ASC Air swing clamp cylinder-single side clamping arm

#### Dimensional table

UNIT:mm

MODEL ITEM	ASC-25	ASC-32	ASC-40	ASC-50	ASC-63
A 標準型攻牙 Standard with thread	50	70	75	85	95
	50	75	75	95	95
	70	100	100	130	130
B 標準型無牙 Standard without thread	50	75	75	95	95
C 加長型無牙 Extension	70	100	100	130	130
B	□15.9	□19	□19	□25.4	□25.4
C1	8.5	9.5	9.5	12.5	12.5
C2	5	7	7	9	9
D1	ø14	ø16	ø16	ø20	ø20
D2	ø6.8	ø9	ø9	ø11	ø11
D3	ø11	ø14	ø14	ø17	ø17
E	M6 x 1.0	M8 x 1.25	M8 x 1.25	M10 x 1.5	M10 x 1.5
F	6	8	8	10	10
G	35	50	55	60	70

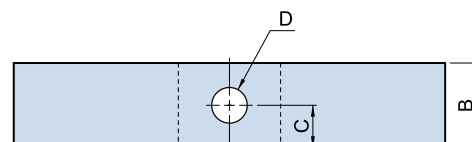
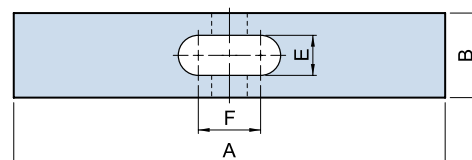


### ASC.HSC 空油壓轉角缸雙邊壓板 ASC.HSC Air/hydraulic swing clamp cylinder-double side clamping arm

#### Dimensional table

UNIT:mm

MODEL ITEM	ASC-25	ASC-32 HSC-25	ASC-50 HSC-32	ASC-63 HSC-32	HSC-40	HSC-50	HSC-63
A 標準型 Standard type	120	140	160	160	160	180	200
	—	200	230	230	230	260	—
C 加長型 Extension type	—	200	230	230	230	260	—
B	□15.9	□19	□22.2	□22.2	□22.2	□25.4	□31.8
C	7.95	9.5	11.1	11.1	11.1	12.7	15.9
D	ø6	ø8	ø8	ø8	ø10	ø12	ø15
E	7	9	10	10	10	12	15
F	13	16	19	19	21	26	33



# ARM 夾具缸壓板



## Clamp Cylinder Clamping Arm

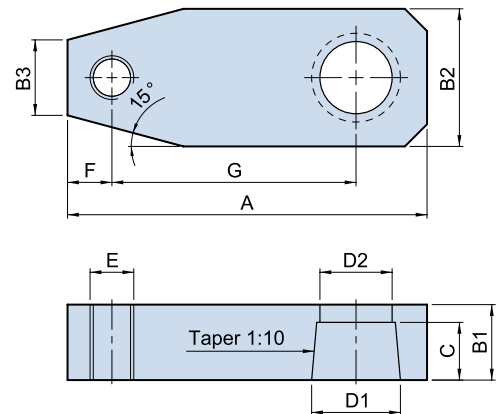
### HSC 油壓轉角缸單邊壓板

HSC Hydraulic swing clamp cylinder single-side clamping arm

#### Dimensional table

UNIT:mm

MODEL		HSC-25	HSC-32	HSC-40	HSC-50	HSC-63
A	A 標準型攻牙 Standard with thread	74	81	86	96	114
	B 標準型無牙 Standard without thread	74	81	86	96	114
	C 加長型無牙 Extension	100	110	120	130	150
B1		15	17	18	20	23
B2		27	31	31	37	48
B3		15	17	17	19	24
C		13	14	15	16	18
D1		ø18	ø20	ø22.4	ø28	ø35
D2		ø15	ø17	ø19	ø21	ø27
E		M10 x 1.5	M10 x 1.5	M10 x 1.5	M12 x 1.75	M16 x 2.0
F		10	10	10	12	15
G		50	55	60	65	75



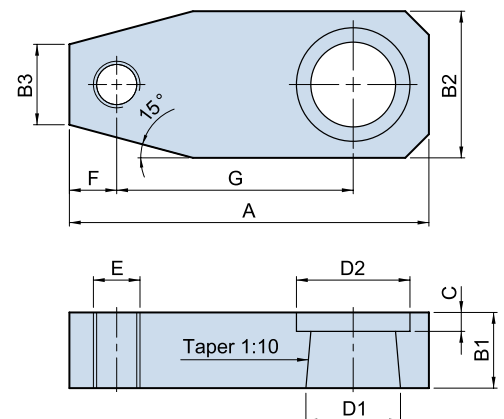
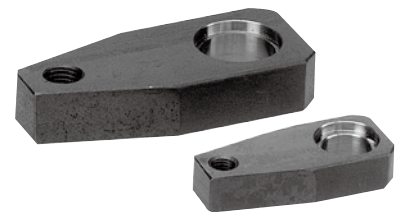
### HPS 高壓轉角缸單邊壓板

HPS High pressure swing clamp cylinder-single side clamping arm

#### Dimensional table

UNIT:mm

MODEL		HPS-25	HPS-32	HPS-40	HPS-50	HPS-63
A	A 標準型攻牙 Standard with thread	76	96	114	140	177
B1		16	20	23	28	34
B2		31	37	48	60	78
B3		16	19	24	30	40
C		3.5	4	4	5	6
D1		ø20	ø25	ø32	ø40	ø50
D2		ø24	ø29	ø36	ø46	ø55
E		M10 x 1.5	M12 x 1.75	M16 x 2.0	M16 x 2.0	M20 x 2.5
F		10	12	15	15	18
G		50	65	75	95	120



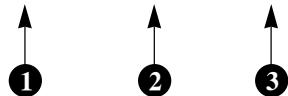
# ARM 夾具缸壓板



## Clamp Cylinder Clamping Arm

### 訂購標示法 Order Code

**HLC** - **25** - **B**

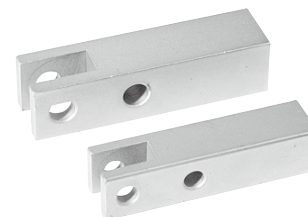


<b>1</b>	系列別 Series	ALC. HLC	
<b>2</b>	缸體內徑 Bore of cylinder	ø25, ø32, ø40, ø50, ø63	
<b>3</b>	壓板前端區分 Clamping arm front	A	標準型 Standard type
		B	標準型 Standard type
		C	加長型 Extension type

註: B標準型與C加長型壓板前端B2與15°未加工

Note: The B2 and 15° at the front end of arm on standard model(B) and extra long model(C) are not machined.

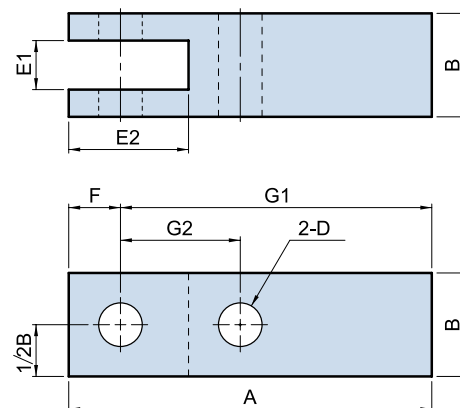
### ALC 槓桿空壓缸壓板 ALC Air lever-type cylinder clamping arm



### Dimensional table

UNIT:mm

MODEL		ALC-25	ALC-32	ALC-40	ALC-50	ALC-63
<b>A</b>	B 標準型 Standard type	50	60	65	75	85
	<b>B</b>	□12.7	□15.9	□15.9	□19	□22.2
	<b>D</b>	ø5	ø6	ø6	ø8	ø8
	<b>E1</b>	6	8	8	10	10
	<b>E2</b>	13	16	17	21	22.5
	<b>F</b>	5	6	7	9	9
	<b>G1</b>	45	54	58	66	76
	<b>G2</b>	14	17	20	23	29.5

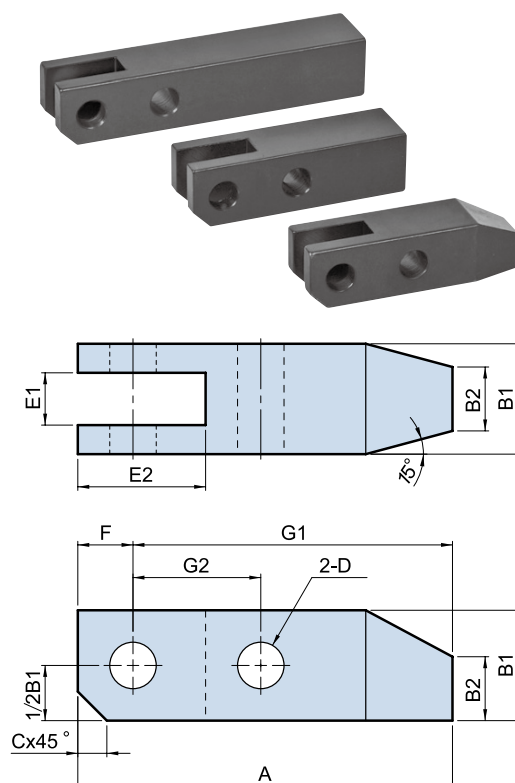


### HLC 槓桿油壓缸壓板 HLC Hydraulic lever-type cylinder clamping arm

### Dimensional table

UNIT:mm

MODEL		HLC-25	HLC-32	HLC-40	HLC-50	HLC-63
<b>A</b>	A 標準型 Standard type	64	64	77	90	110
	B 標準型 Standard type	64	64	77	90	110
	C 加長型 Extension type	100	100	110	130	—
	<b>B1</b>	□19	□19	□22.2	□25.4	□31.8
	<b>B2</b>	11	11	13	15	19
	<b>C</b>	5	5	6	7	9
	<b>D</b>	ø8	ø8	ø10	ø12	ø15
	<b>E1</b>	9	9	10	11	15
	<b>E2</b>	21.5	21.5	25	29	36
	<b>F</b>	9	9	11	13	16
	<b>G1</b>	55	55	66	77	94
	<b>G2</b>	22	22	26	30	36



# ARM 轉角缸壓板 TS錐度套 Taper sleeve



## Swing Cylinder Clamping Arm TS

提供錐度套與壓板加工尺寸表，解決壓板需自行製做無法車錐度的困擾。  
材質：錐度套SCM440，壓板S45C

The table below shows the machining sizes for taper sleeves and clamping plates, which can solve the problem of unable to turn taper sleeves by customers.

MATERIAL: Taper sleeve(SCM440), Clamping plate(S45C)

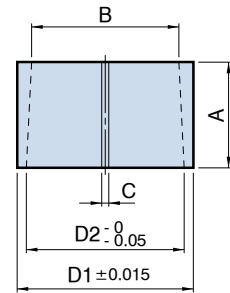
### 轉角缸壓板錐度套尺寸表

### Clamping plates & taper sleeves size table for swing cylinder

#### Dimensional table

UNIT:mm

MODEL	ITEM	A	B	C	D1	D2
HSC-25TS		13	ø16.7	1	ø20	ø18
HSC-32TS		14	ø18.6	1	ø22	ø20
HSC-40TS		15	ø20.9	1	ø25	ø22.4
HSC-50TS		16	ø26.4	1	ø31	ø28
HSC-63TS		18	ø33.2	1	ø39	ø35
HPS-25TS		10	ø19	1	ø23	ø20
HPS-32TS		13	ø23.7	1	ø28	ø25
HPS-40TS		15	ø30.5	1	ø36	ø32
HPS-50TS		18	ø38.2	1	ø45	ø40
HPS-63TS		22	ø47.8	1	ø55	ø50



Bore Taper 1:10

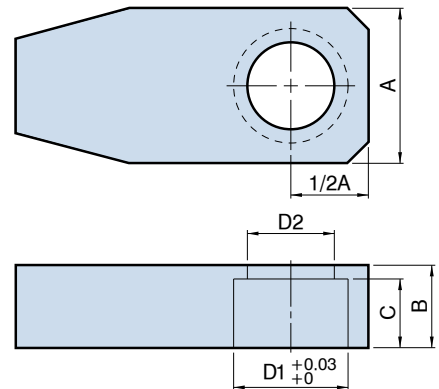
### HSC 油壓轉角缸單邊壓板

### HSC Hydraulic swing clamp cylinder single-side clamping arm

#### Dimensional table

UNIT:mm

MODEL	ITEM	HSC-25	HSC-32	HSC-40	HSC-50	HSC-63
A		28	31	34	40	50
B		15	17	18	20	23
C		13	14	15	16	18
D1		ø20	ø22	ø25	ø31	ø39
D2		ø15	ø17	ø19	ø21	ø27



### HPS 高壓轉角缸單邊壓板

### HPS High pressure swing clamp cylinder-single side clamping arm

#### Dimensional table

UNIT:mm

MODEL	ITEM	HPS-25	HPS-32	HPS-40	HPS-50	HPS-63
A		34	40	50	63	80
B		16	20	23	28	34
C1		10	13	15	18	22
C2		3.5	4	4	5	6
D1		ø23	ø28	ø36	ø45	ø55
D2		ø24	ø29	ø36	ø46	ø55
D3		ø19.6	ø24.4	ø31.4	ø39.2	ø48.8

